



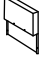


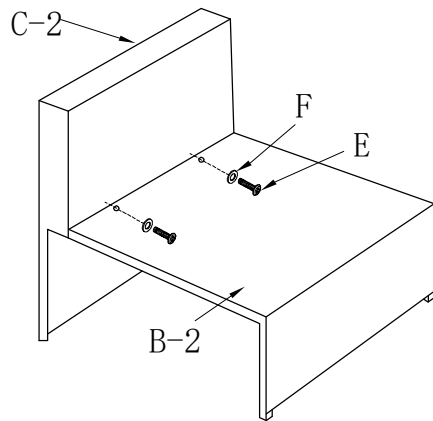


ASSEMBLY INSTRUCTION

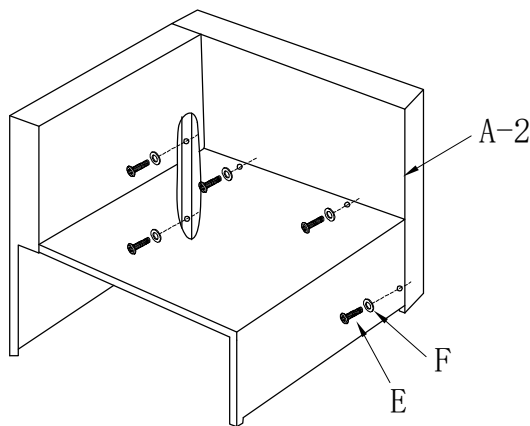
ITEM: evie0287-2

PART LIST							
NO.	PHOTO	DESCRIPTION	QTY	NO.	PHOTO	DESCRIPTION	QTY
A-2		Arm	1	E		Bolt M6*30mm	11
B-2		Seat	1	F		Washer	11
C-2		Back	1	G		Wrench	1
D		Panel	1				

Steps 1:



Steps 2:



Steps 3:

